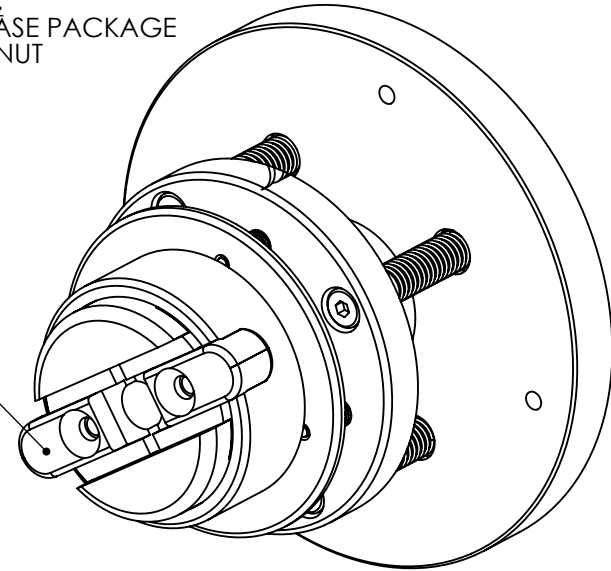


DETAIL VIEW:
 QUICK-RELEASE PACKAGE
 MOUNTING NUT



THUMB TAB
 ACTUATORS

SPINDLE MOUNTING
 BOLT (3/8-16)

SPINDLE TENSION
 BRAKE

QUICK-RELEASE PACKAGE
 MOUNTING NUT

2.937" - 3.063" ϕ

ϕ 2.88"

ϕ 4.25"

ϕ 24.0"

ϕ 6.0"

3.0"

13"

PART NAME: SPINDLE ASSY WITH MAGNETIC BRAKE			James L. Gallagher, Inc 408 W Main Rd - Little Compton, RI 02837 - (401) 635-0299			
PART NUMBER: JLGSP 5202-03V		DRAWN LMD	DATE 10-12-10	TITLE JLGSP 5202-03VSCH		
PART MATERIAL:		MATERIAL STOCK:		SIZE B	DWG NO. JLGSP 5202-03VSCH	REV. A-04
				SHEET	1 OF 1	